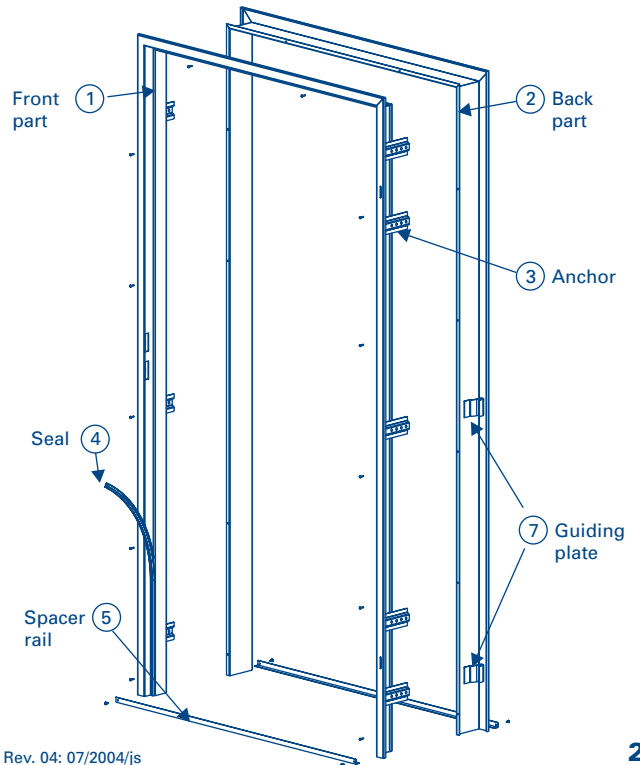


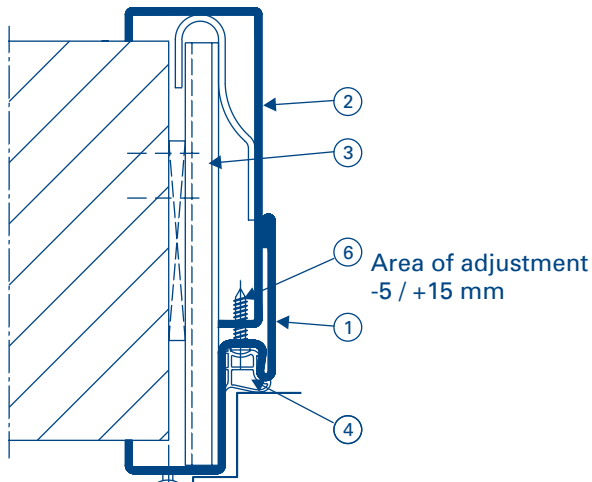
Split Adjustable Frame wBud Type "K" for Subsequent Installation in a Finished Wall

Included in **BOS** delivery:

- split frame Type "K"
- 5.2m seal (4)

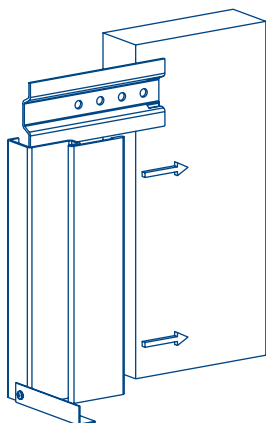


Rev. 04: 07/2004/js

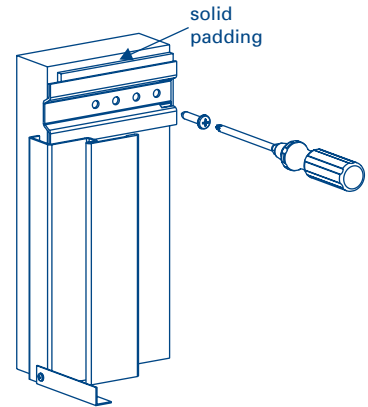


15 LDB
FMB
RRB = FMB + 34

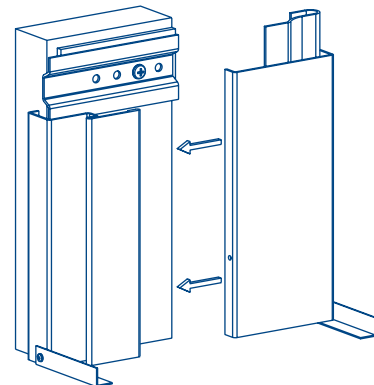
LDB = through-way width
FMB = rebate width measurement
RRB = standard width measurement



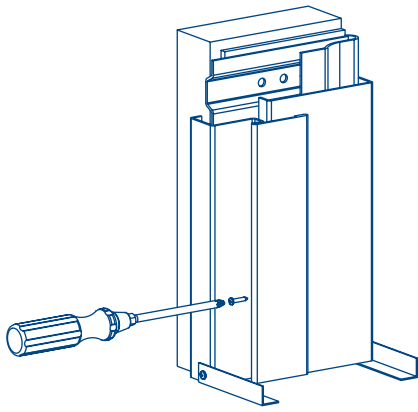
1. Separate the two parts of the frame by removing the joining screw (6). Position the front part (1) in the wall opening and align.



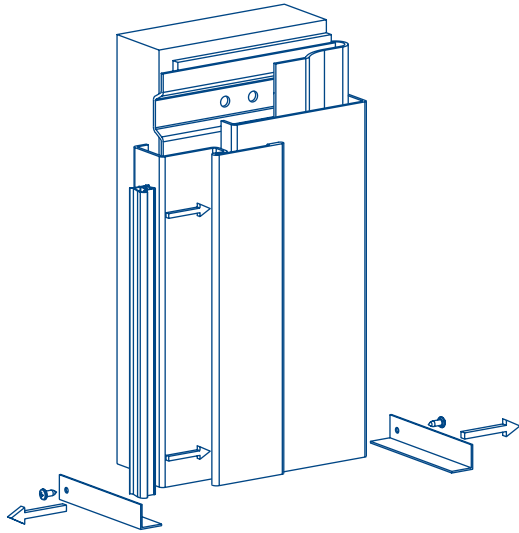
2. Insert solid padding behind all anchors (3). Fasten the front part to the brick wall securely (e.g. hexagonal drilling screws 6,3 x 38 DIN 750 K).



3. Push the back part onto the front part. Take care that the anchors go into the guiding plates (7).



4. Re-attach the joining screw ⑥.



5. Remove the spacer rail ⑤.

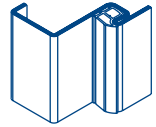
5

Hinge Installation

When installing the hinges please follow the instructions given on the seal packaging.

Seal Installation

1. Apply seal ④ after the frame paint has dried.
Do not use nitro-based paint.
2. Insert the seal into the frame head first and then the jambs without a mitre.
3. Use soft detergents only when cleaning seals.



Subject to change.

6