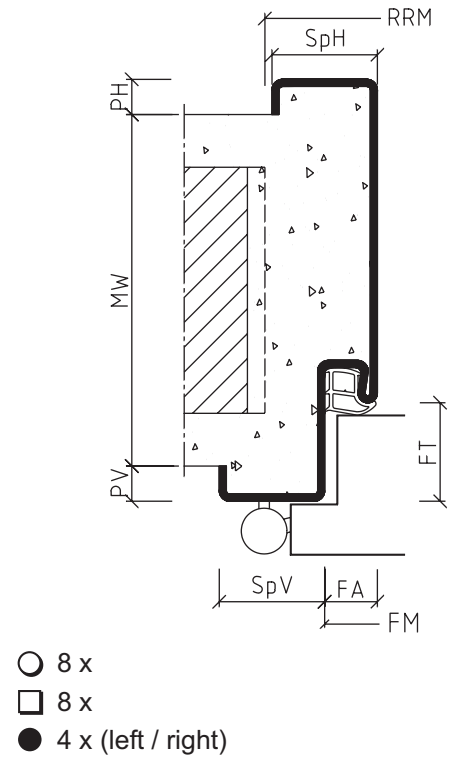




### Enclosure frame for brick walls (according to German standards DIN 18111)

- Profile  enclosure profile Uud
- Wall type  brick wall
- Design  1 part
- Steel strength  1,5 mm
- Material / Surface  galvanized and primed
- Architrave front / back  30 mm / 30 mm
- Backbend front / back  10 mm / 10 mm
- Rebate width  15 mm
- Rebate depth  28,5 mm (rebated)
- Rebate type  single rebate
- Handle height  1050 mm
- Metre mark  pre-punched
- Foundation bedding  30 mm
- Spacer rail  screwed under the frame
- Hollows chamber seal  light grey  black  
 white  brown
- Anchor  nail anchor (separate)  claw anchor
- Hinge pockets  BTV 10200 (mortar impervious)
- Others  .....



predetermined  standard  choice

Position	Quantity	Description

Position	Quantity	RRB(standard width)	RRH(standard height)	Frame mouth opening